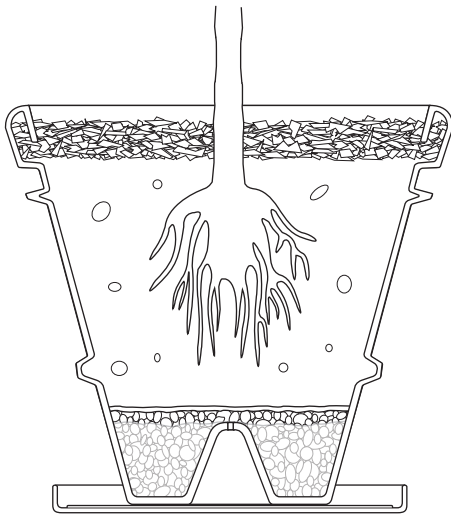


**Product Diagram & Installation Details**



**Product Specifications**

**Material:** High Density Polyethylene

**Weight:** 9 lbs.

**Capacity:** 14 Gallons

**Height:** Top x Bottom x Height  
21" x 13" x 18"

**Accessories:** Round Planter Trays VPS-1  
Diameter x Height  
16" x 1.5"

**Installation Instructions**

- Suggestion:**
1. Fill with stone one inch above drainage riser
  2. It is recommended to insert a weed barrier between soil and rock
  3. Place foilage in planter and backfill with soil
  4. For a complete finish add decorative stone or mulch

**Benefits:** Valley View's Venus Planters are available in wide range of color palettes of solid and granite designs.

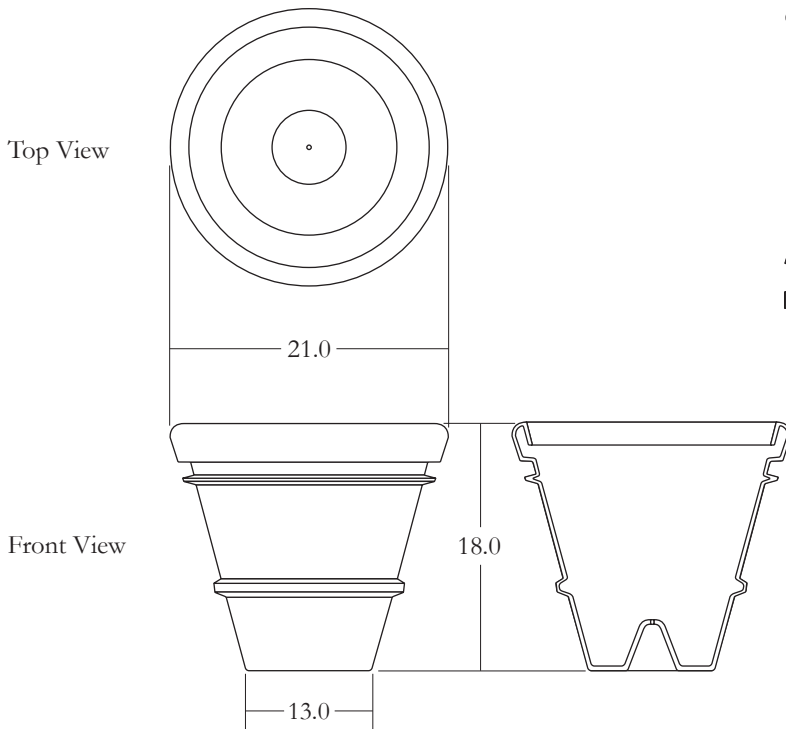
**Guarantee:** Valley View Industries provides a twenty year guarantee against cracking or decomposing.



**Toll Free Distribution Network:** 1-800-323-9369

□ □ □ **Fax:** 1-800-323-3262

**Planter Profile**



**Accessories:**