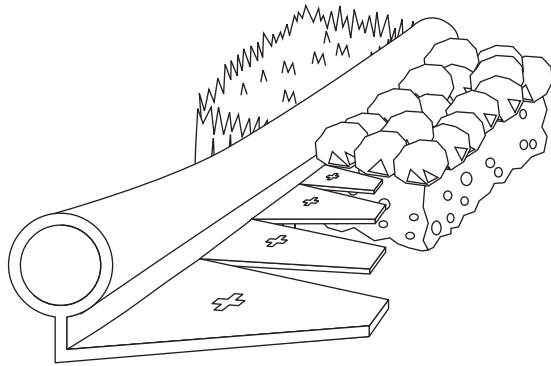
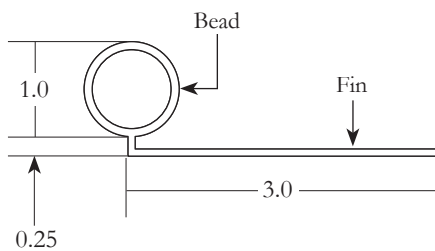


Product Diagram & Installation Details

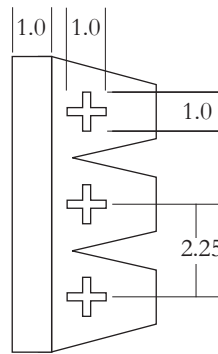


Edging Profile

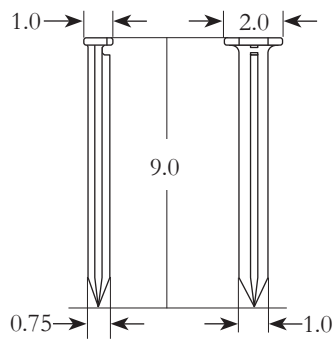
(Front View)



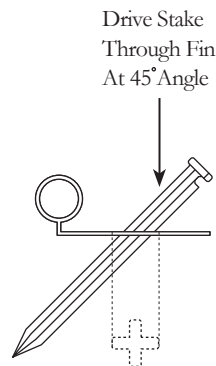
(Top View)



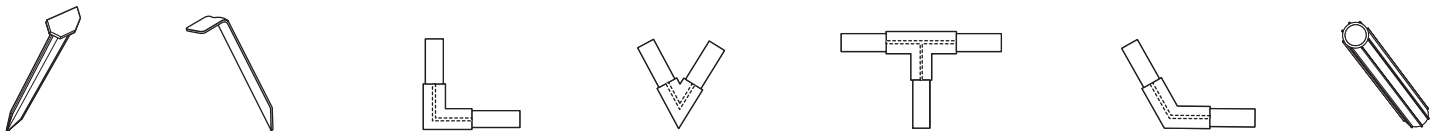
Stake Profile



Installation Detail



Accessories:



Product Specifications

- Material:** Medium density polyethylene with UV inhibitor
- Weight:** 5 lbs per kit (approximate)
- Height:** 1.25 Inches
- Packaging:** 1 Kit (Includes:
1 - 20 Foot Flat Strip
6 - 9 Inch Poly Stakes
1 - 8 Inch Connector
- Shipping:** 1 kit per box

Installation Instructions

- Edging:** Sink edging into trench. Secure edging with stakes as indicated. Use the provided connector when joining two lengths of edging together.
- Stake:** Sink stake through the hole provided on the bottom fin every 5 feet at a 45 degree angle. Sink stake all the way through the edging until the top of stake is flush with the bottom part of the fin. Additional stakes are needed for tight curves and at the ends of the edging.
- Guarantee:** When installed according to our instructions, Valley View Industries provides a twenty year guarantee against cracking, fading, or decomposing.



- Accessories:**
 - 9 Inch Poly Anchoring Stakes
 - 9 Inch Metal Anchoring Stakes
 - 90 Degree Corner Connector
 - 60 Degree Vee Connector
 - 90 Degree Tee Connector
 - 120 Degree Wide Angle Connector

Toll Free Distribution Network: 1-800-323-9369
Fax: 1-800-323-3262